

PA-M32H Mobile DVR



4 Channel video recording

Built-in Speaker, support one-way audio function.

Support
1 x SD card.
1 x SIMcard.

Solid State
Hard Drive.

GPS/BD/GLONASS
Global positioning.

12 Month Warranty



Hidden Recorded Driver Monitoring.

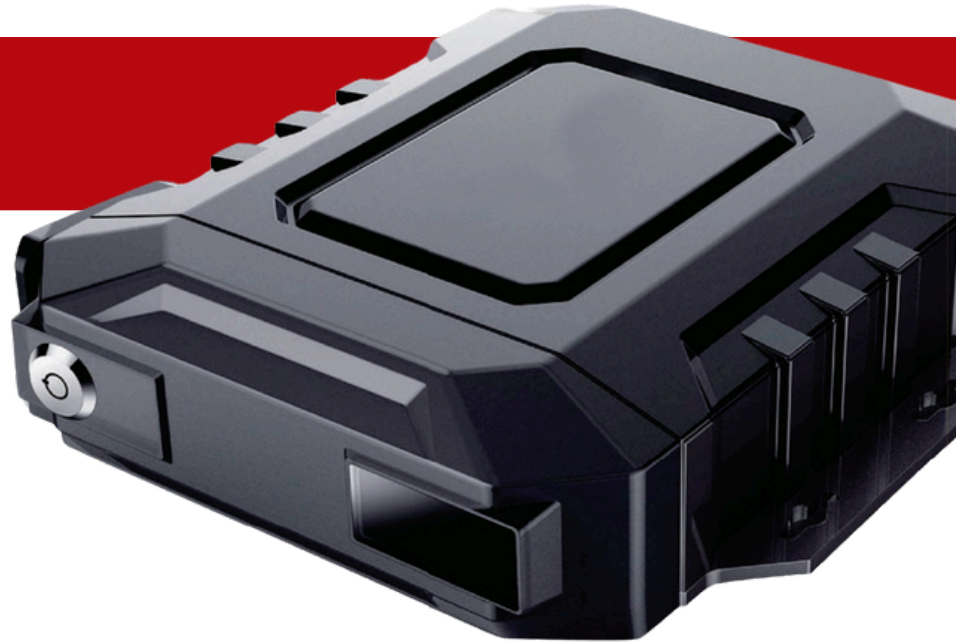
PROTECT YOUR FLEET

Get Your Quote Today!

www.khuludigital.com



PA-M32H Mobile DVR



PA-M32H is a professional HD H.265 mobile digital video recorder(DVR) specially designed for vehicle surveillance purpose. It adopts high speed processor Hi3520DV400 hardware and embedded Linux system. The state of the art Mobile DVR uses the latest IT technologies, such as H.265 code, data flow streaming, A/V noise reduction, module-style design, anti-vibration technology, wide-range voltage design. It supports 1080P AHD record and hybrid model which can easily upgrade your old CIF/D1 analog mobile DVR to HD solution (high definition).

Key features :

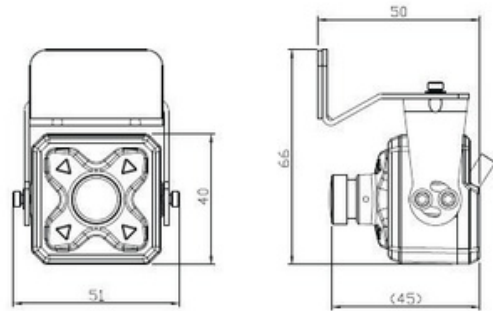
- Industrial-grade design with special vehicle port for reliable working on harsh environment Wide
- Voltage support over-load, short circuit, reverse connect protection
- UPS power for continual work
- Basic type: support 2 x SD cards & external fire box, max support 256GB
- Functional type: support 2 x SD cards & external fire box, And supports 2.5' SSD, max support 2TB.
- 3G/WIFI transmit; multiple grade image quality transmitting option
- GPS/BD/GLONASS global positioning
- Powerful software platform including remote preview, playback, broadcast, talk and more IP
- Communication
- PTT group talk function
- Support multiple serial port extension.

Specification :

OS	Linux	
User interface	Support E-set, remote controller, remotely operation, SD card, etc to configure	
Language	English,Chinese (option customized)	
Security	User password, Administrator password management	
Video & preview	Input/output	4 channel video input, 1 channel video CVBS output; 1.0Vp-p, 75Ω
	OSD	Overlays letters... like date /time, vehicle ID,GPS,etc into the video
	Compression	H.265 High Profile Compression
	Dual stream	Record with HD video and remotely live view with lower stream
	preview	1 channel/Quad preview; support events triggered to full screen and video switch
	Speed(frame rate)	PAL: 60fps, each channel 15fps
	Resolution	1080P/720P /D1 adjustable
	Image quality	High, middle, and low option
	Video rate	D1: 512kbps/768kbps/1024kbps, 3grades adjustable 720P: 1024kbps/2048kbps/4096kbps, 3grades adjustable 1080p: 2048kbps/4096kbps/6144kbps, 3grades adjustable
Audio	Audio input/output	4 channel audio input/1 channel audio output; independent handheld talk MIC port
	Compression	G.726,G711A,G711U
Record	Storage	Basic type: support 2xSDcards & external fire box, max support 256GB Functionalttype:support 2xSDcards&external fire box,Andsupports2.5'SSD,maxsupport 2TB.
	Format	FAT32
	Record strategy	Default power-on record, also support time schedule record, alarm record and events trigger record
Alarm	Input	4 channel level signal and 2 channel analog signal input
	Output	2 channel level signal output
Communication port	SerialPort	Support 2 channel RS232
	Network	10M/100M network port
3G/4G/WIFI	Support 3G/4G and compatible with GPRS, EDGE, etc; built-in WIFI	
G-Sensor	Built-in G-Sensor	
GPS(option)	Support GPS, option/BD/GLONASS	
Firmware upgrading	SD card; remotely upgrade; HDD upgrade; USB pen driver upgrade	
Power supply & consumption	Power manage	ACC on/off; delay off;
	Voltage	DC:+8V ~ +36V
	Voltage output	+12V@2.5A : +5V@1A
	Power failure protection	Built-in UPS, to ensure the record completely when power failure suddenly;
	Consumption	Working: <10W; Support turning off with no power consumption
Work Environment	Temperature	-25°C ~ +60°C
	Humidity	10% ~ 95%
Size	198(W) x 64(H) x 186(L) mm	
Weight	Net weight: 1.1KG	

720P AHD Metal Box Camera

Model: **PA 1612**
High resolution, 2.1mm Megapixel, 12VDC



Dimensions:

Model: **PA 1612**
 High resolution, 1.3Mega Pixel, 12V DC

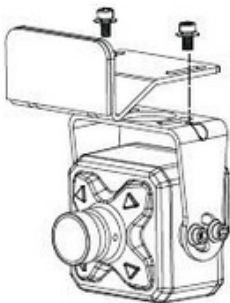
Features:

- All metal-cased mini housing with megapixel fixed lens.
- Low power consumption.
- Any light environment can show the true color reduction.
- Easy installation.

Packing list:

Camera	1
Instruction manual	1
Mounting Screw	2
Hex-key	1

Operation procedures:



1. Remove the lens cap(1).
2. Tear off 3M glue from covering layer, fixed the camera on the right location.
3. Connect the camera to 4pin d-in jack as below diagram.



- 1---12VDC (+)
- 2---12VDC/GND (-)
- 3---Audio or N/A
- 4---Video

4. Adjust camera position by loosening the fixed screw (4). Adjust the focus sharpness of the lens(2) by loosening the focus-lock screw(3).
5. Re-tighten all the fixed screws.

Specifications:

Model	PA 1612
ImageSensor	1/3" CMOS AR0130
TVSystem	PAL/NTSC (optional)
PictureElements	1280 (H) x 960 (V)
Sensitivity	0.1 Lux/F1.2
ScanningSystem	Progressive scan RGB CMOS
Synchronization	Internal
S/NRatio	More than 44dB (AGC Off)
AutoGainControl(AGC)	Auto
ElectronicShutter	Auto
BLC	Auto
InfraredSpectrum	N/A
InfraredLED	N/A
Video Output	1 Vp-p, 75Ω, AHD
AudioOutput	Optional
Mirror	Optional
NoiseReduction	3D
Dynamicrange	83.5 dB
Lens	2.1mm Megapixel
Power Supply	12V DC±10%
PowerConsumption	60mA (Max)
Dimensions	51 (L) x 66(W) x 50 (H) mm
NetWeight	108g
Weatherproof/WaterProof	N/A
Operating Temperature	-30° C ~ +70° C

**Specifications are subject to change without prior notice.*



Extension Camera Cable and converter cable at additional costs.

Extension Camera Cable available in 5m.



Extension Camera Cable and converter cable at additional costs.

Extension Camera Cable available in 5m.

PA 1522

Dual Camera

Model: **PA 1522**

High resolution, 2.5mm Megapixel, 12VDC

Features:

- Aluminium alloy housing.
- Wide angle lens.
- Cam 2 Option 120dB Real WDR.
- Strong light inhibition.
- Cam 1 Build-in IR LED.
- Cam 1 Audio output.

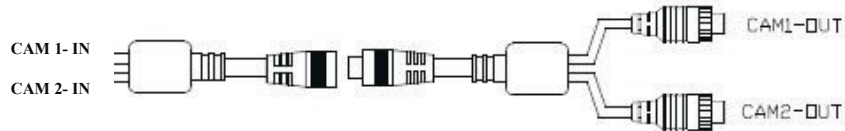
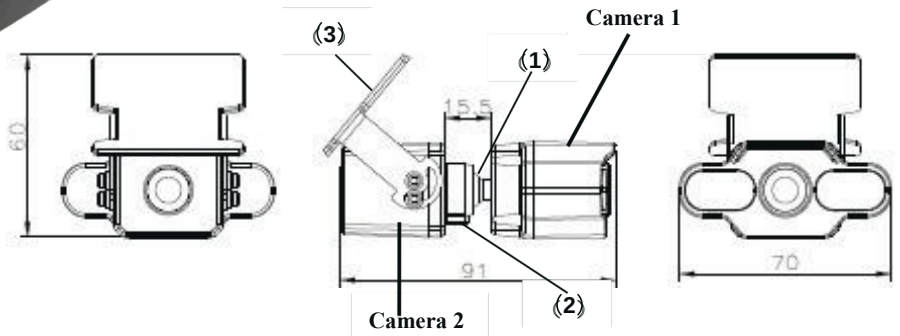


Packing list:

Camera	1
Instruction Manual	1
Hex-key	1

Operation procedures:

1. Adjust the position of (1) to change the angle of inner-forwarding camera 1.
2. Adjust the position of (2) to change the angle of out-forwarding camera 2.
3. Take off the 3M sticker of (3) to fix the whole camera to needed place.
4. Connect the cable as below.



Specifications:

Specifications

Camera1(Cabin Facing)

Image Sensor	1/3" CMOS AR0130 PAL/NTSC
TV System	(optional)
Picture Elements	1280(H) x 960(V)
Sensitivity	0 Lux (IR LED On) Progressive
Scanning System	scan RGB CMOS Internal
Synchronization	More than 44dB (AGC Off) Auto
S/N Ratio	Auto
Auto Gain Control (AGC)	Auto
Electronic Shutter	850nm
BLC	6 LEDs
Infrared Spectrum	1 Vp-p, 75Ω, AHD
Infrared LED	Available
Video Output	Optional
Audio	Available
Mirror	3D
ICR	83.5dB
Noise Reduction	2.5mm Megapixel
Dynamic range	
Lens	
Pan Adjusting	0-50°
Tilt Adjusting	0-50°
Power Supply	9-18V DC
Power Consumption	110mA
Weatherproof/Water Proof	N/A
Operating Temperature	-30°C to +70°C

Camera2(Road Facing)

Image Sensor	1/3" CMOS AR0130
TV System	PAL/NTSC (optional)
Picture Elements	1280(H) x 960(V)
Sensitivity	0.1 Lux/F1.2
Scanning System	Progressive scan RGB CMOS
Synchronization	Internal
S/N Ratio	More than 44dB (AGC Off)
Auto Gain Control (AGC)	Auto
Electronic Shutter	Auto
BLC	Auto
Infrared Spectrum	N/A
Infrared LED	N/A
Video Output	1 Vp-p, 75Ω, AHD
Audio	N/A
Mirror	Optional
ICR	N/A
Noise Reduction	3D
Dynamic range	83.5dB
Lens	f2.5mm Megapixel
Pan Adjusting	N/A
Tilt Adjusting	0-80°
Power Supply	9-18V DC
Power Consumption	70mA
Weatherproof/Water Proof	N/A
Operating Temperature	-30°C to +70°C

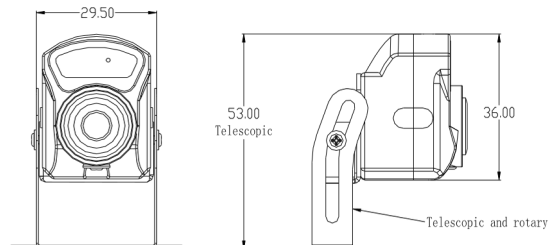
PA 1509 IR AHD

720P AHD Colour Mini Taxi Camera



Model: **PA 1509 IR AHD**
High resolution, 1.3Mega Pixel, 12VDC

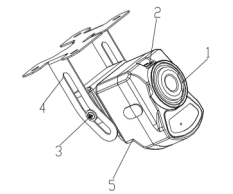
Dimensions:



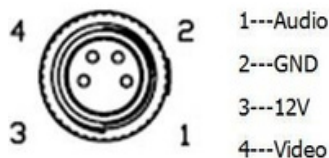
Features:

- Metal-cased mini housing with standard fixed lens.
- Available in black finish.
- Low power consumption.
- Easy installation on ceiling or wall, surface or flush mount.

Operation procedures:



1. Attach the mounting bracket (4) to wall or ceiling, as required. Use the supplied screws to fix camera (5) in position ~ a firm mounting surface is essential for a stable installation.
2. Connect the camera as follows:



3. Adjust camera position by loosening the fixed screw (3). Adjust the focus sharpness of the lens (1) by loosening the focus-lock screw (2).
4. Re-tighten the all fixed screws.

Specifications:

Model	PA 1509 IR AHD
Image Sensor	1/3" CMOSAR0130
TV System	PAL/NTSC (optional)
Picture Elements	1280 (H)x960(V)
Sensitivity	0 Lux (IRLEDOn)
Scanning System	Progressive scanRGBCMOS
Synchronization	Internal
S/N Ratio	More than 44dB(AGCOff)
Auto Gain Control (AGC)	Auto
Electronic Shutter	Auto
BLC	Auto
Infrared Spectrum	940nm
Infrared LED	6 LEDs
Video Output	1 Vp-p, 75Ω,AHD
Audio	Available
Mirror	Optional
ICR	N/A
Noise Redution	3D
Dynamic range	83.5 dB
Lens	f2.35mm Megapixel
Power Supply	9-18VDC
Power Consumption	100mA
Dimensions	36(L) x 29.5 (W)x53(H) mm
Net Weight	51g
Weatherproof	N/A
Operating Temperature	-30°C to+70°C

**Specifications are subject to change without prior notice.*

NB

Extention Camera Cable and converter cable at additional costs.

Extention Camera Cable available in 5m.

Packing list:

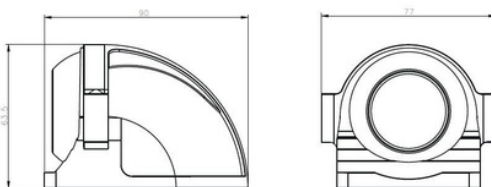
Camera	1
Instruction manual	1
Adhesive EPE type	1
Mounting screw	4

PA 1524 IR

720P / 1080P, 12V DC, F2.8mm / F3.6mm SIDE CAMERA

Model: **PA 1524 IR**
High resolution, 2.8mm Megapixel, 9-18V DC

Specifications:



Packing list and dimensions:

Camera	1
Instruction Manual	1
Mounting Screw	4

Cable Connection:



- 1---12VDC (+)
- 2---12VDC/GND (-)
- 3---Audio or N/A
- 4---Video

Model	PA 1524 IR
Image Sensor	Nextchip2441+ 1/2.9"IMX323
TV System	PAL/NTSC (optional)
Picture Elements	1920 (H) x 1080 (V)
Sensitivity	0 Lux (IR LED On)
Scanning System	Progressive scanRGB CMOS
Synchronization	Internal
S/N Ratio	More than 52dB(AGC Off)
Auto Gain Control (AGC)	Auto
Electronic Shutter	Auto
BLC	Auto
Infrared Spectrum	850nm
Infrared LED	12 LEDs
Video Output	1Vp-p, 75Ω,AHD
Aud io	N/A
Mirror	Optional
ICR	IRCUT
Noise Reduction	3D
Lens	f2.8mmMegapixel
Power Supply	9-18VDC
Power Consumption	180m A
Dimensions (LX W X H)	90 X77X63.5mm
Net Weight	286g
Weather proof	IP67
Operating Temperature	-30°C to+70°C



Extention Camera Cable and converter cable at additional costs.

Extention Camera Cable available in 5m.



720P AHD Colour Mobile Box Camera

Model: **PA AC 5881 AHD**
Analog AHD, 1.3Mega Pixel, 12V DC



Features:

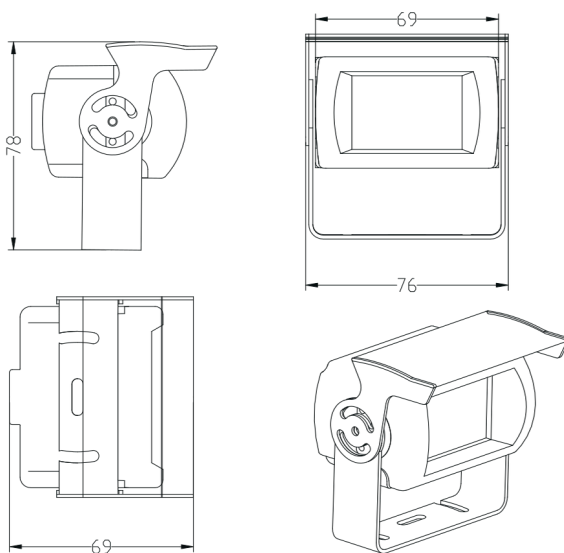
- Metal-cased mobile box with fixed lens.
- Available in black finish.
- Low power consumption.
- Easy installation on ceiling or wall, surface or flush mount.
- IP67 waterproof.

Specifications:

Model	PA AC 5881 AHD
Pick up Device	1/3" CMOS AR0130
TV System	PAL/NTSC (Optional)
Picture Elements	1280 (H) x 960 (V)
Sensitivity	0 Lux (IR LED On)
Scanning System	Progressive scan RGB CMOS
Synchronization	Internal
S/N Ratio	More than 44dB(AGC Off)
Auto Gain Control (AGC)	Auto
Electronic Shutter	Auto
Back Light Compensation	Auto
Infrared Spectrum	850 nm
Infrared LED	18 LEDs
Mirror	Available
ICR	Available
Noise Reduction	3D
Dynamic range	83.5 dB
Video Output	1 Vp-p, 75Ω,AHD
Audio Output	Optional
Lens	f2.8mm Megapixel
Pan Adjusting	N/A
Tilt Adjusting	0-60 Degree
Power Supply	9-18V DC
Power Consumption	180mA
Dimensions (L X W X H)	L69 x W76 x H78 mm
Net Weight	285g
Weatherproof	IP67
Operating Temperature	-30~ +70 ° C

**Specifications are subject to change without prior notice.*

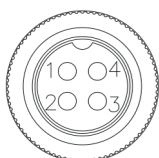
Dimensions:



Operation procedures:

1. Loosen the lock screws on the sun shield, remove the mounting bracket to the suitable position.
2. Attach the mounting bracket to the wall or ceiling, wherever you want to install the camera. Locate a wall stud or ceiling joint and secure the base by the supplied mounting screws.
3. Connect the cable to DC12V power input and video output.
4. Fix the lock screw.

Cable Connection:



- 1---12VDC (+)
- 2---12VDC/GND (-)
- 3---N/A
- 4---Video



Extension Camera Cable and converter cable at additional costs.

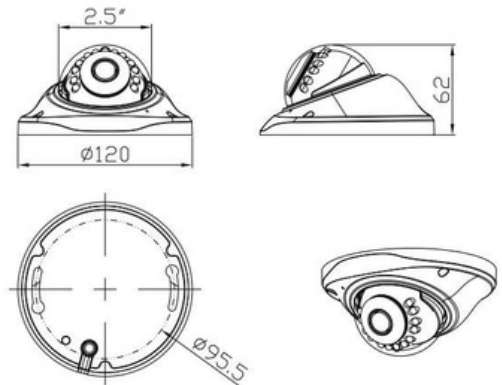
Extension Camera Cable available in 5m.

Packing list:

Camera	1
Instruction Manual	1
Self Drilling Screw	2
Hex-key	1

Model: **PA 1607**

High resolution,AHD,DC12V+/-20%



Specification

Model	PA 1607-960 IR 1080P AHD
ImageSensor + DSP	1/2.7" CMOS AHD
PicturePixels	1920(H)*1080(V)
Video FrameRate	PAL: 1080p@25fps,NTSC: 1080p@30fps
Video Output	AHD
TransmissionDistance	More than 500m via 75-3 coaxial cable
MinimumIllumination	Day: 0.01Lux, 0Lux (IR ON)
Lens	2.8m m
Sync System	Internal Synchronization
Electronic Shutter	PAL: 1/25 -1/50,000 Sec, NTSC:1/30 -1/60,000 Sec
S/N Ratio	More than 50dB
Day and Night	Auto(ICR) /Color /B/W
Infrared LED	12mil*Φ5*12pcs LEDs
IR Distance	10-15m
OSD Menu	Support
UTC	Support
OSD/UTC Language	EN, CN, DE, FRA, IT,ES,PL, RU,PT,NL, TR
D-W DR	Support
Noise Reduction	3DNR
White Balance	Auto/ Manual
Gain Control	Auto
Operation Temperature	-20°C~+70°C /Less than 95%RH (Nocondensation)
Power Supply	DC12V+/-20%
Dim ension	Φ120*62mm
Housing	Ivory color metal case
Audio	Audio Optional